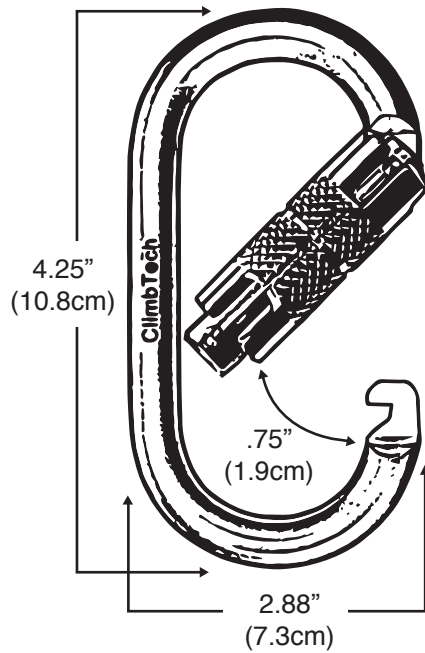


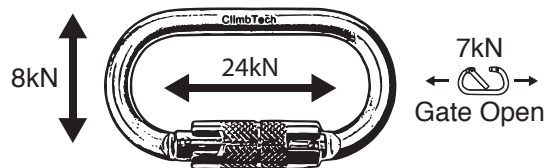
DESCRIPTION

Steel carabiner with a double action locking gate.



www.climbtechgear.com

SPECIFICATIONS



MATERIALS

- ▾ **Main Body**
Zinc Plated Steel
- ▾ **Gate**
Zinc Plated Steel

PRODUCT VARIATIONS

MODEL	GATE	COLOR	LOADING	WEIGHT
CT CLA-OVL-STL	Double Action Locking	Gold	↔ 24kN ↓ 8kN ⤷ 7kN	172g