

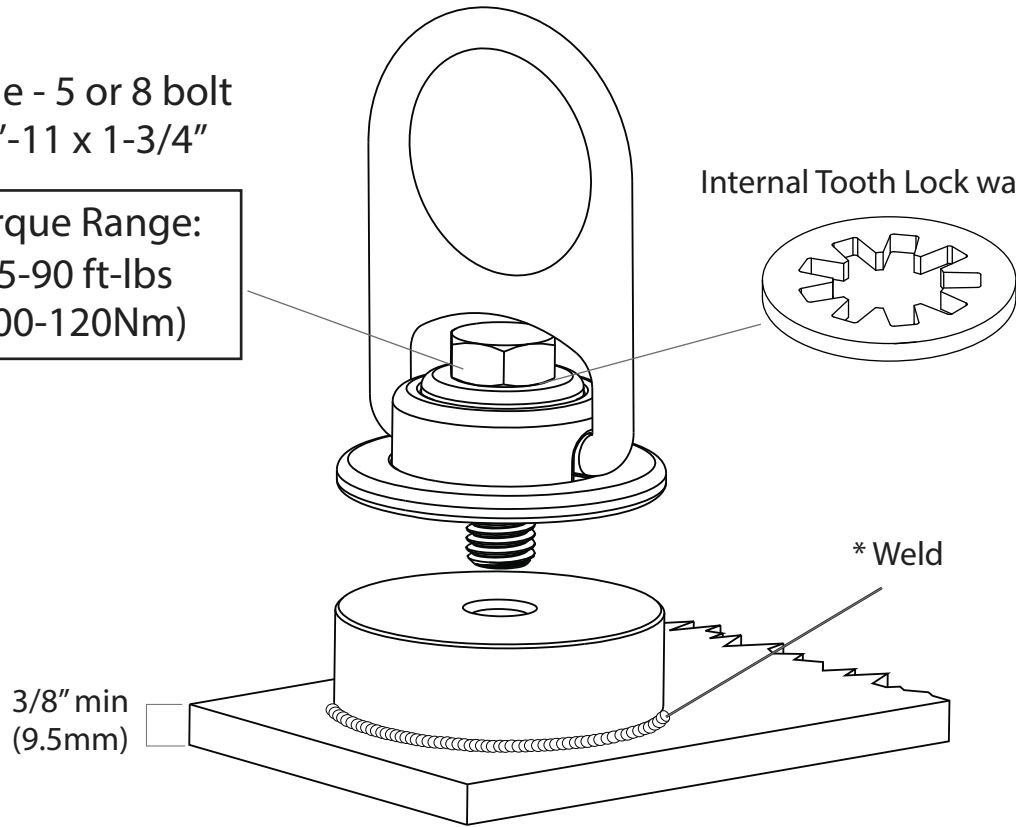
DESCRIPTION

The Weld Puck Kit is a weld-on mount for ClimbTech's Swivel Anchors. Available in stainless steel and mild steel. Grade 8 5/8"-11 bolt and internal tooth lock washer are included in the kit.

Grade - 5 or 8 bolt  
5/8"-11 x 1-3/4"

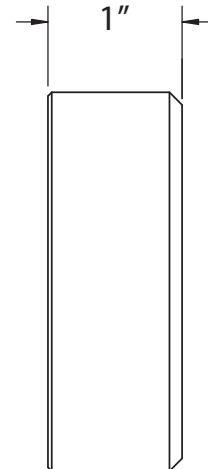
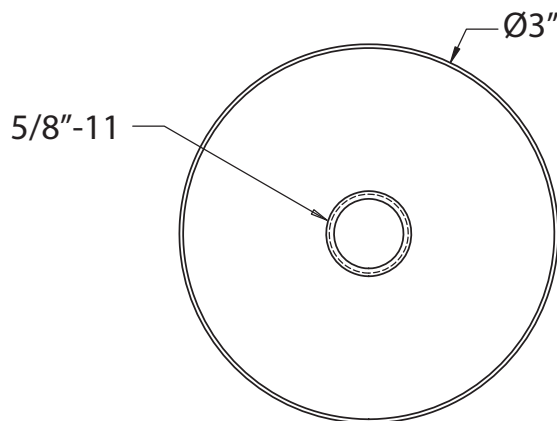
Torque Range:  
75-90 ft-lbs  
(100-120Nm)

Internal Tooth Lock washer



3/8" min  
(9.5mm)

\* Weld



PRODUCT VARIATIONS

PART NUMBER	MATERIAL	WEIGHT
SWP100N-KIT	MILD STEEL	1kg
SWP100N-304-KIT	304 STAINLESS STEEL	1kg
SWP100N-316-KIT	316 STAINLESS STEEL	.96kg