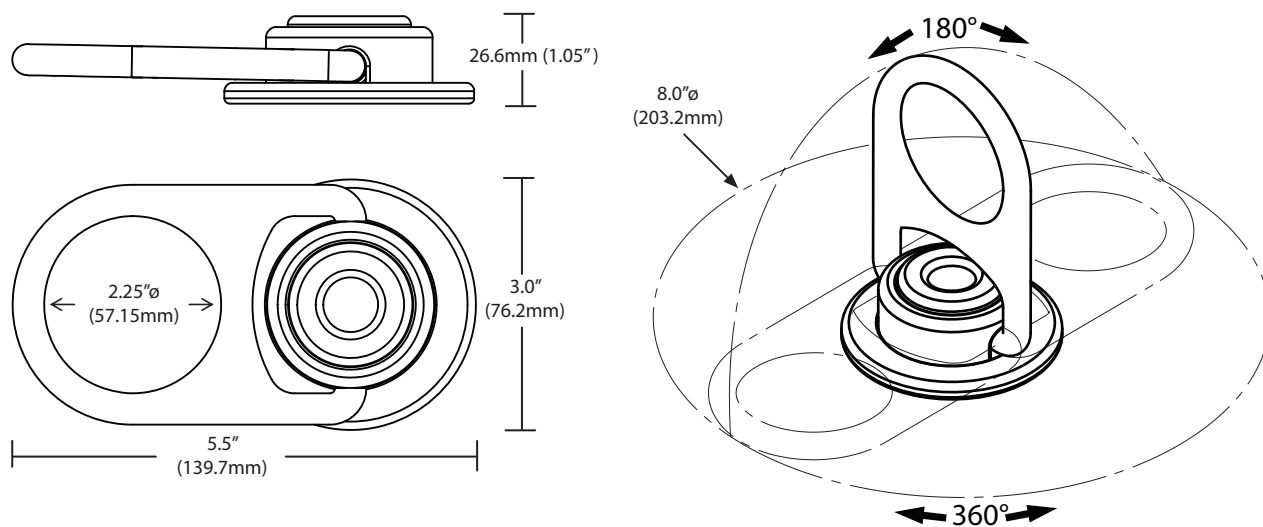


DESCRIPTION

ClimbTech 5,000-lbf / 22kN Stainless Steel Swivel Anchor.

Weighing only 657g (1.5-lbs) the Swivel Anchor can be installed on concrete and steel structures with a variety of installation kits available to suit your application.



SPECIFICATIONS

- ▼ **UTS**
5,000-lbf / 22kN
- ▼ **Max User Weight**
310-lbs / 140kg
- ▼ **Working Load**
1000-lbs / 454kg

MATERIALS

- ▼ **Swivel**
Stainless Steel

PRODUCT CONFIGURATIONS

MODEL	APPLICATION	COLOR	LOADING	WEIGHT
SWS100N	Swivel Only	Stainless Steel	5,000-lbf (22kN)	657g
SWS100S	Steel Mounting	Stainless Steel	5,000-lbf (22kN)	875g
SWS100C	Concrete Mounting	Stainless Steel	5,000-lbf (22kN)	918g
SWP100N 316-KIT	Weld-on Mounting Kit	Stainless Steel	5,000-lbf (22kN)	1688g
DNC-TOOL	Concrete Tool	Zinc Plated Steel	N/A	320g